



actual size

# Quartz Crystal · JTX410

SMD Tuning Fork Crystal · 4.1 x 1.5 mm

- 32.768 kHz
- reflow soldering temperature: 260 °C max.
- package height 0.9 mm max.



## General Data

type	JTX410
frequency	32.768 kHz
frequency tolerance at 25 °C ± 5 °C	± 10 ppm / ± 20 ppm / ± 30 ppm
load capacitance $C_L$	12.5 pF std. (7 pF ~ 10 pF on request)
temperature constant ( $T_C$ )	$T_C = -0.04 \cdot 10^{-6} / ^\circ\text{C}^2$ max. $T_C = -0.034 \cdot 10^{-6} / ^\circ\text{C}^2$ typical
frequency temperature characteristic	$f \text{ (ppm)} = T_C \cdot (25^\circ\text{C} - T)^2$ T = requested temperature
operating temperature range	-20 °C ~ +70 °C / -40 °C ~ +85 °C
shunt capacitance $C_0$	1.2 pF typical
series resistance max. (ESR)	80 k $\Omega$ (70 k $\Omega$ or 60 k $\Omega$ ask if available)
storage temperature	-40 °C ~ +90 °C
drive level max.	0.5 $\mu$ W
aging first year	< ± 3 ppm

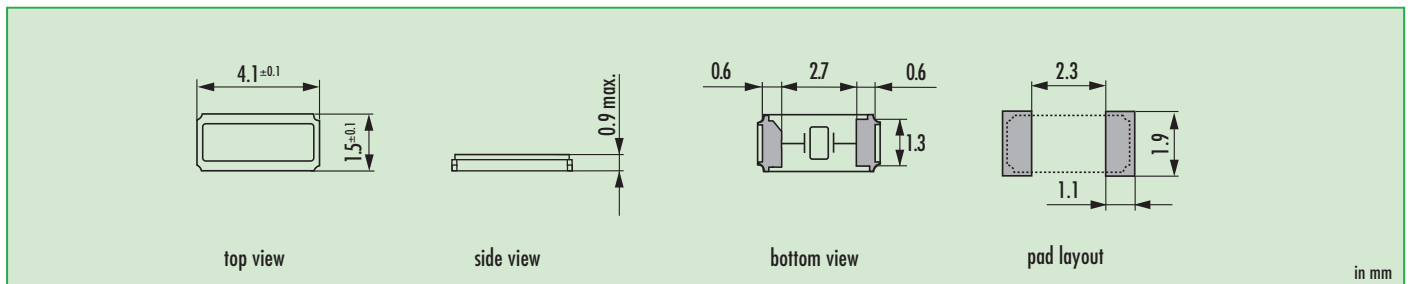
## Frequency Stability vs. Temperature

		- 80 ppm	- 160 ppm	
-20 °C ~ +70 °C	STD.	●		
-40 °C ~ +85 °C	T1		●	
● standard				

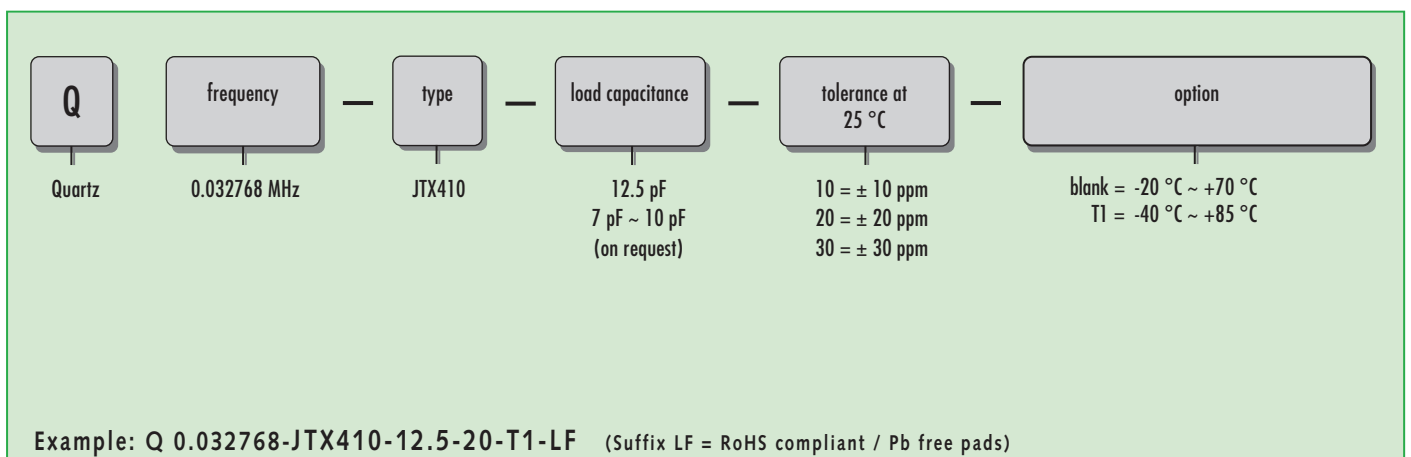
## Marking

company code  
date code / production code

## Dimensions

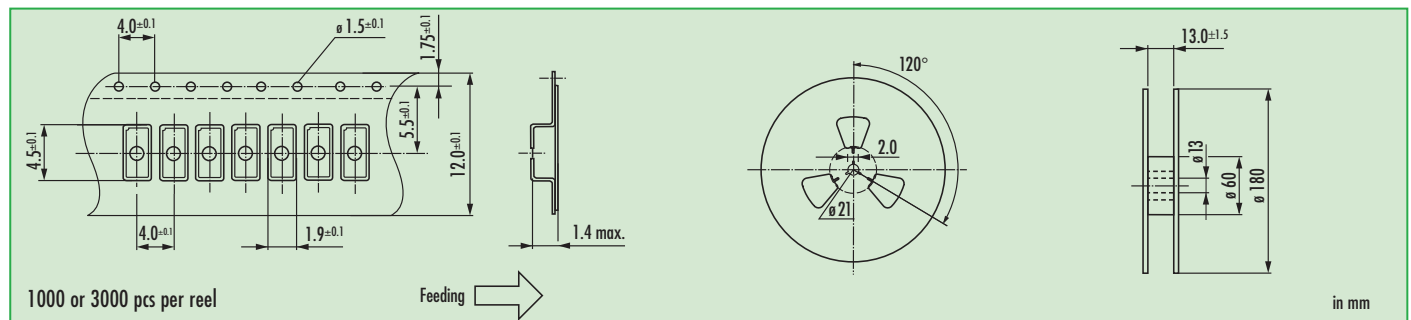


## Order Information



# Quartz Crystal · JTX410

## Taping Specification



## Reflow Soldering Profile

