



actual size

Quartz Crystal · JTX520

SMD Tuning Fork Crystal · 4.8 x 1.9 mm

- 32.768 kHz standard
- reflow soldering temperature: 260 °C max.
- package height 1.0 mm max.



General Data

type	JTX520
frequency	32.768 kHz (30.0 ~ 100.0 kHz on request)
frequency tolerance at 25 °C ± 5 °C	± 10 ppm / ± 20 ppm / ± 30 ppm
load capacitance C_L	12.5 pF std. (7 pF ~ 12 pF on request)
temperature constant (T_C)	$T_C = -0.04 \cdot 10^{-6} / ^\circ\text{C}^2$ max. $T_C = -0.034 \cdot 10^{-6} / ^\circ\text{C}^2$ typical
frequency temperature characteristic	$f \text{ (ppm)} = T_C \cdot (25^\circ\text{C} - T)^2$ $T = \text{requested temperature}$
operating temperature range	-20 °C ~ +70 °C / -40 °C ~ +85 °C
shunt capacitance C_0	1.25 pF typical
series resistance max. (ESR)	80 k Ω (70 k Ω ask if available)
storage temperature	-40 °C ~ +90 °C
drive level max.	1.0 μW
aging first year	< ± 3 ppm

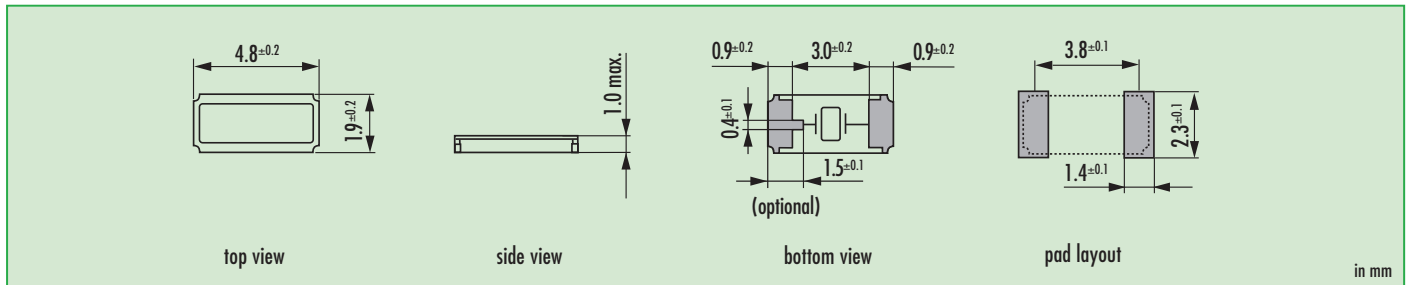
Frequency Stability vs. Temperature

		- 80 ppm	- 160 ppm
-20 °C ~ +70 °C	STD.	●	
-40 °C ~ +85 °C	T1		●
● standard			

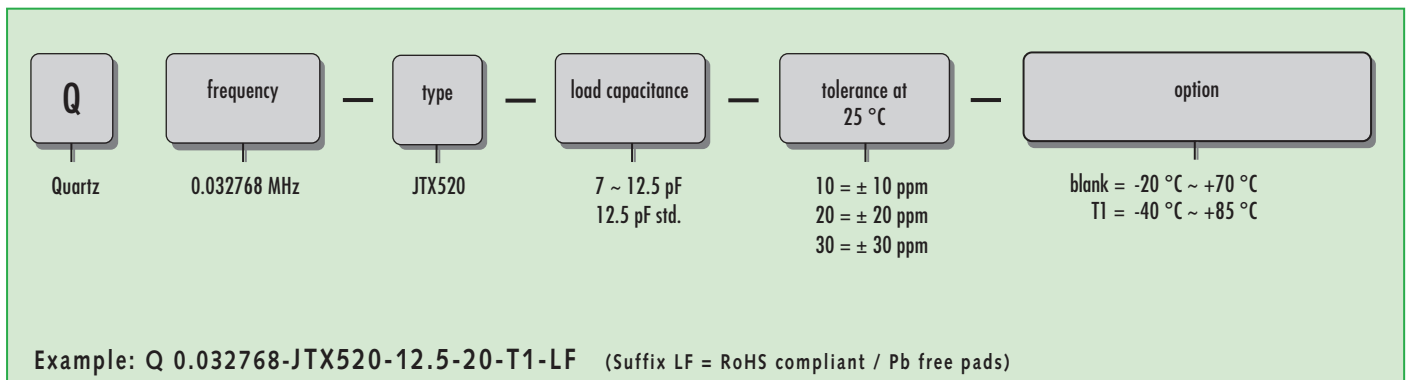
Marking

company code
frequency code (optional)
date code
production code (optional)

Dimensions

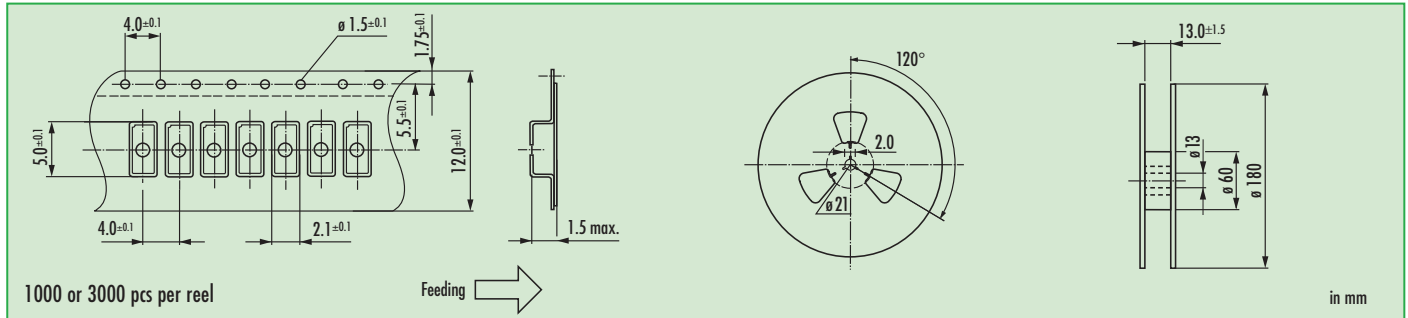


Order Information



Quartz Crystal · JTX520

Taping Specification



Reflow Soldering Profile

