



actual size

Oscillator · JO32 · 1.8 V

SMD Oscillator with Stop Function · 3.2 x 2.5 mm

- reflow soldering temperature: 260 °C max.
- compact & flat ceramic/metal package



General Data

type		JO32 1.8 V
frequency range		0.75 ~ 60.0 MHz (15 pF max.)
		0.75 ~ 60.0 MHz (30 pF max.)
higher frequencies		40.0 ~ 80.0 MHz (15 pF max.)*
frequency stability over all**		± 20 ppm ~ ± 100 ppm (table 1)
current consumption		see table 2
supply voltage V _{DC}		1.8 V ± 10% for stability code A, B, G
		1.8 V ± 5% for stability code C, D
temperature	operating	-20 °C ~ +70 °C / -40 °C ~ +85 °C / -40 °C ~ +105 °C
	storage	-55 °C ~ +125 °C
output	rise & fall time	see table 3
	load max.	15 pF / 30 pF (≤ +85 °C and ≤ 50.0 MHz)
	current max.	4 mA
	low level max.	0.4 V
	high level min.	V _{DC} - 0.4 V
output enable time max.		10 ms
output disable time max.		50 µs
start-up time max.		10 ms
standby function		stop
standby current max.		10 µA
phase jitter 12 kHz ~ 20.0 MHz		< 1.0 ps RMS
symmetry at 0.5 x V _{DC}		45% ~ 55% (40% ~ 60% max.)

* ask if available

Table 1: Frequency Stability Code

stability code / temp. code**	A	B	G	C	D
	± 100 ppm	± 50 ppm	± 30 ppm	± 25 ppm	± 20 ppm
-20 °C ~ +70 °C		○	○	○	Δ
-40 °C ~ +85 °C T1	○	○	○	□	
-40 °C ~ +105 °C T2	○	○			

○ available Δ excludes aging □ only 0.75 ~ 60.0 MHz

** includes stability at 25 °C, operating temp. range, supply voltage change, shock and vibration, aging 1st year.

Table 2: Current Consumption max.

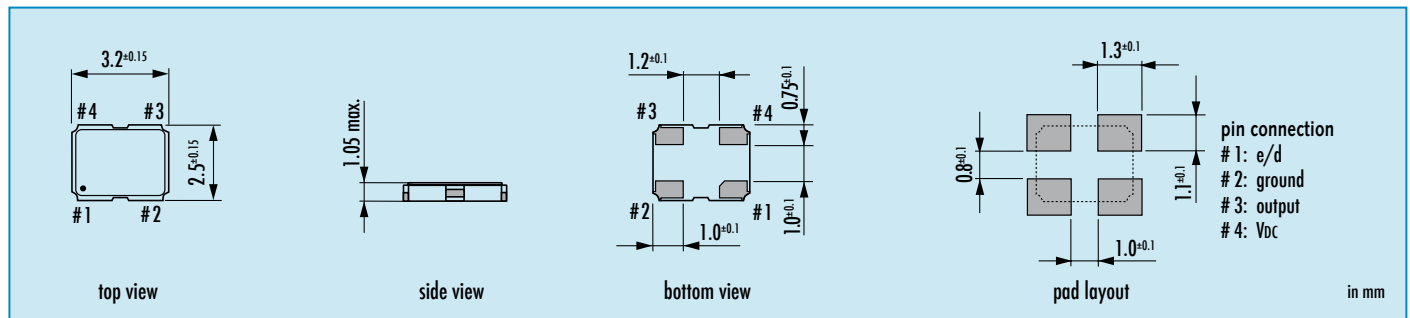
Current at 15 pF load		Current at 30 pF load	
0.75 ~ 29.9 MHz	2 mA	0.75 ~ 29.9 MHz	6 mA
30.00 ~ 39.9 MHz	3 mA	30.00 ~ 49.9 MHz	13 mA
40.00 ~ 59.9 MHz	8 mA	50.00 ~ 60.0 MHz	17 mA
60.00 ~ 80.0 MHz	11 mA		

Table 3: Rise & Fall Time max.

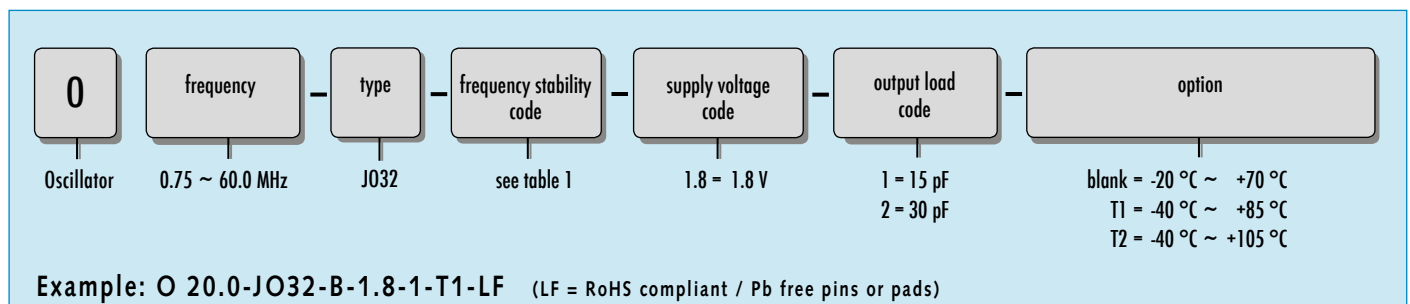
at 15 pF	at 30 pF
7 ns: 0.75 ~ 39.99 MHz	10 ns: 0.75 ~ 39.99 MHz
5 ns: 40.00 ~ 80.00 MHz*	7 ns: 40.00 ~ 60.00 MHz

note: rise time: 0.1 V_{DC} ~ 0.9 V_{DC} / fall time: 0.9 V_{DC} ~ 0.1 V_{DC}
specific data on request

Dimensions

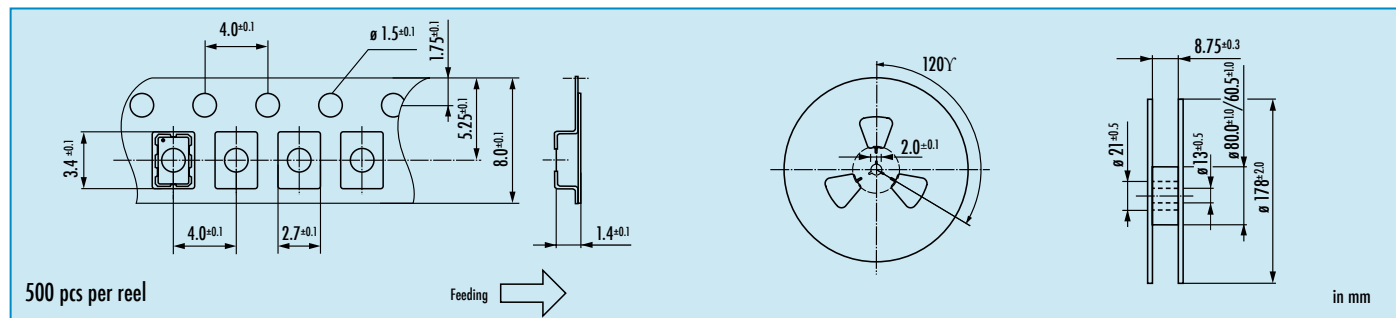


Order Information



Oscillator · JO32 · 1.8 V · Stop Function

Taping Specification



Enable / Disable Function

pin #1 (e/d control)	pin #3 (output)
open	active
high "1" ($V_{IH} \geq 0.8 V_{DC}$)	active
low "0" ($V_{IL} \leq 0.2 V_{DC}$)	high impedance

stop function:

- oscillator stops
- output high impedance

Marking

frequency

company code / frequency stability code / date code

date code:

A ~ M: Jan. - Dec.

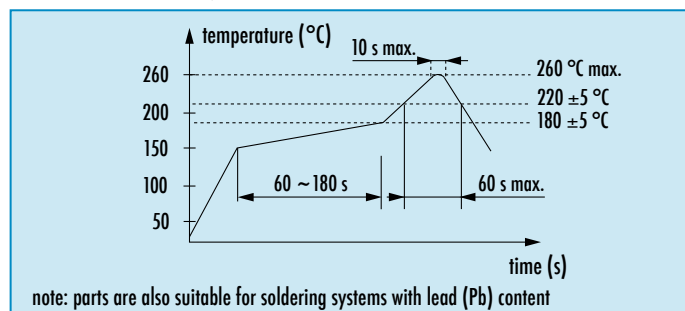
3: 2013 6: 2016

4: 2014 7: 2017

5: 2015 8: 2018

Jan.	Febr.	Mar.	Apr.	May	June
A	B	C	D	E	F
July	Aug.	Sept.	Oct.	Nov.	Dec.
G	H	J	K	L	M

Reflow Soldering Profile



Packing Note

- standard packing units are 500 pieces per reel
- non-multiple packing units are only supplied taped / bulk